

EC 66 LIMIT SWITCH BOX



FOR LINEAR ACTUATORS

THE EC 66 SWITCHBOX

The Saunders 'EC' Actuators can be supplied fitted to valves in the size range 8, 10, 15, 20, 25, 40, & 50mm nominal bore & they are available as Spring Closing (S.C.), Spring Opening (S.O.), or Double Acting (D.A.).

To compliment this range of excellent actuators we offer the EC 66 Switch Box which can be fitted to any size, or model, of EC Actuator.

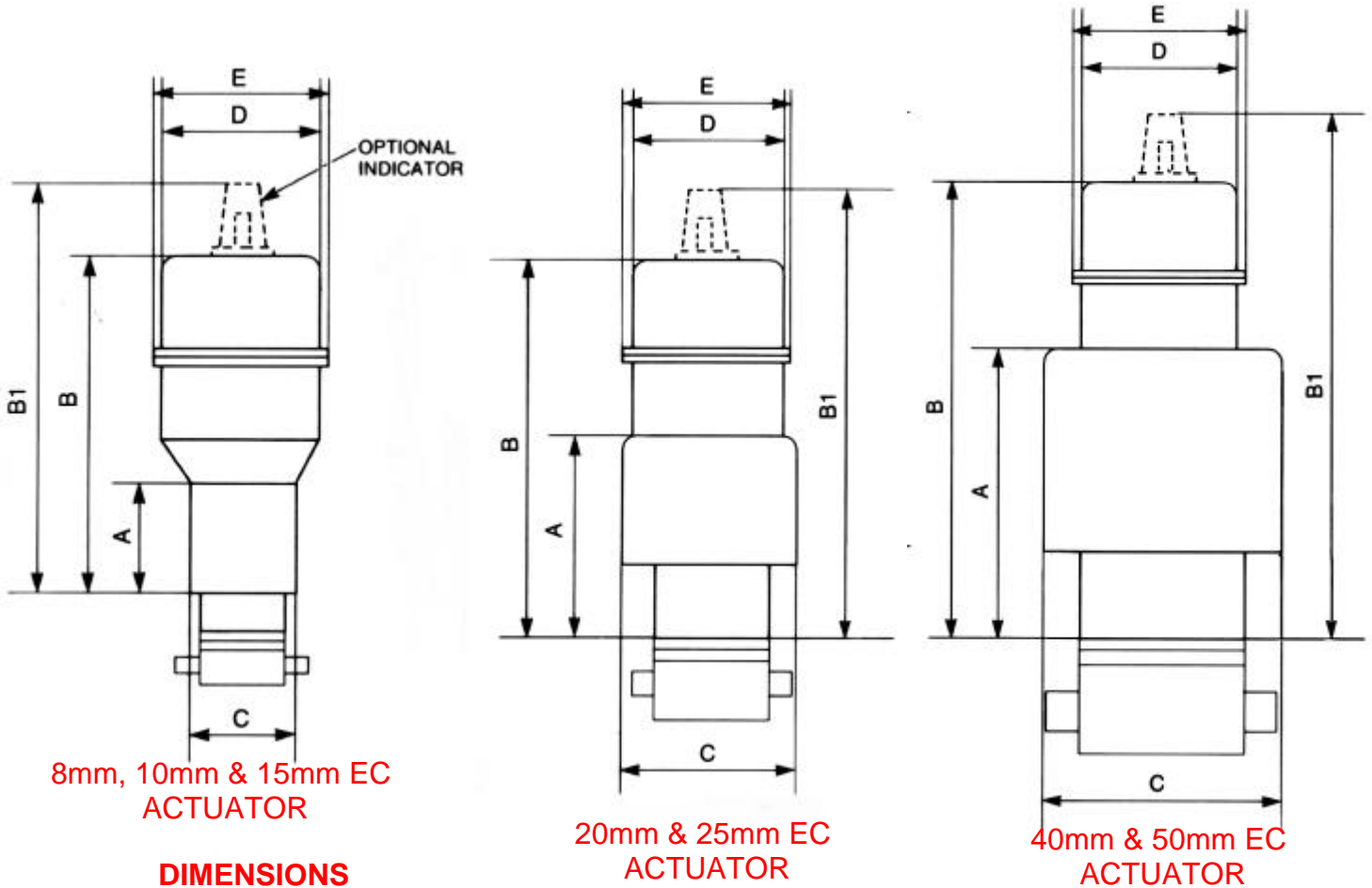


*The EC 66 Switch Box
undergoing weather proofing*

FEATURES OF THE EC 66 ARE:-

CONSTRUCTION:	RUGGED AND VERY ROBUST
WEATHER PROOF:	TESTED & CERTIFIED BY B.S.I. TO IP 66 (DUST TIGHT/PROTECTION AGAINST HEAVY SEAS).
SWITCH TYPES:	A WIDE RANGE OF V3 ELECTRO-MECHANICAL OR PROXIMITY SWITCHES, SINGLE OR DOUBLE
GLAND:	THE STANDARD TAPPING IS SUITABLE FOR AN M20 GLAND, BUT OTHER SIZES CAN BE CATERED FOR ON REQUEST.
POSITION INDICATOR:	OPTIONAL
SWITCH SETTINGS:	EASY TO ADJUST
WIRING CONNECTIONS:	THROUGH THE GLAND TO A "KLIPPON" TERMINAL BLOCK WITHIN THE CASING
WIRING DIAGRAMS:	AVAILABLE FOR THE VARIOUS SWITCH TYPES
ELECTRICAL RATING:	DEPENDS ON THE CHOSEN SWITCH, UP TO 16 AMPS AT 240 V.
TEMPERATURE RATING:	-10C TO 100C AMBIENT, LINE FLUID TEMPERATURE RATINGS DEPEND ON THE DIAPHRAGM USED. (FURTHER DETAILS AVAILABLE ON REQUEST)
MATERIALS:	
CASING:	TOUGH, HIGH IMPACT POLYMER MOULDINGS, ELECTRICAL INSULATION TO BS 771 GRADE L2; CHEMICALLY INERT; WILL NOT ABSORB MOISTURE; FLAME RETARDENT
INTERNAL FITTINGS:	STAINLESS STEEL
'O' RINGS:	NITRILE OR VITON

DIMENSIONS & WEIGHTS OF EC ACTUATOR & EC 66 BOX



DIMENSIONS

VALVE Size DN	A mm	B mm	B1 mm	C mm	D mm	E mm
8	72	207	252	58	90	100
10	81	216	261	71	90	100
15	94	229	274	71	90	100
20	132	242	287	103	90	100
25	137	247	292	103	90	100
40	186	296	341	153	90	100
50	192	302	347	153	90	100

WEIGHTS

VALVE Size DN	8 mm			10 mm			15 mm			20 mm			25 mm			40 mm			50 mm		
	S.C.	S.O.	D.A.	S.C.	S.O.	D.A.	S.C.	S.O.	D.A.	S.C.	S.O.	D.A.	S.C.	S.O.	D.A.	S.C.	S.O.	D.A.	S.C.	S.O.	D.A.
WT. KG.	1.05	1.02	1.01	1.22	1.15	1.14	1.25	1.18	1.17	1.85	1.65	1.55	1.94	1.75	1.65	4.65	3.35	3.15	4.95	3.65	3.45