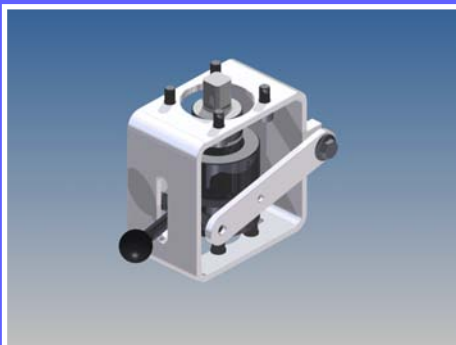
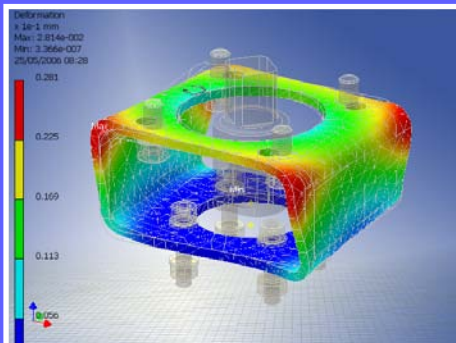
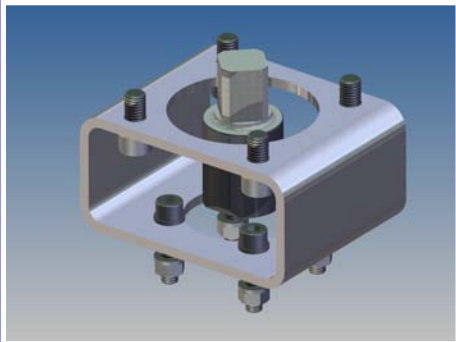


Mounting Kits



For more information contact:

Heap & Partners Ltd
 Britannia House
 Newton Road
 Hoylake
 Wirral
 CH47 3DG
 United Kingdom

Tel: +44 (0)151 632 3393
 Fax: +44 (0)151 632 4453
 Email: info@heaps.co.uk
 Website: www.heaps.co.uk

Offices in:

Liverpool - London - Manchester - Middlesbrough

Heap & Partners never underestimate the importance of having the right mounting kit.

That is why we utilise our own state of the art Finite Element Analysis to ensure all our mounting kits are subject to a rigorous design process and fully stress analysed.

Heap & Partners manufacture an extensive range of valve/actuator mounting kits to ISO 5211, VDI/VDE 3845, DIN 3337 & customer specific designs.

All designs are created using a customized 3D Parametric Solid Model drawing package. Enabling accurate clash detection, CNC coding, bill of materials and stress analysis, all generated at the touch of a button.

For CE marking Emergency Shutdown Valves or fulfilling the requirements of 94/9/EC (ATEX) and BS EN 13980:2002, we use F.E.A. techniques to validate all mounting kit designs, with a copy of the stress calculations available to customers on request.

Each mounting kit comes complete with a stainless steel bracket, drive, and full set of fastenings, as standard. And is supplied ready to fit including assembly instructions, parts list and valve/actuator combination details.

Kits can also be permanently etched with your company logo or part number on request. With over 2000 kits designed, many of which are available from stock or available within 48 hours, Heap & Partners can provide a rapid delivery service to meet customers' requirements.

